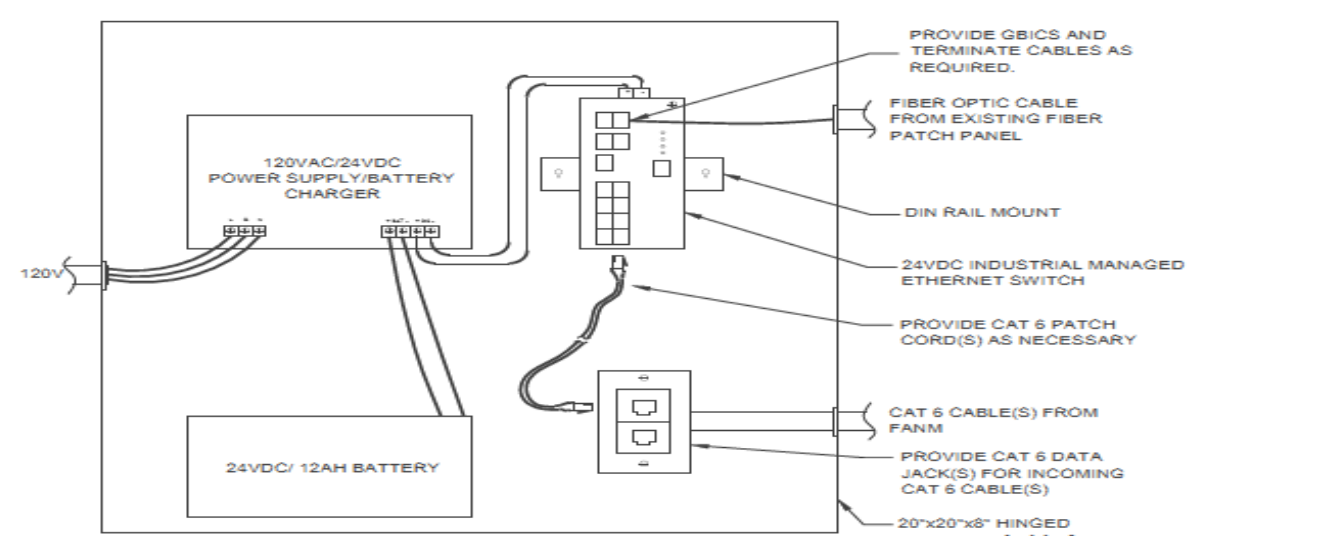


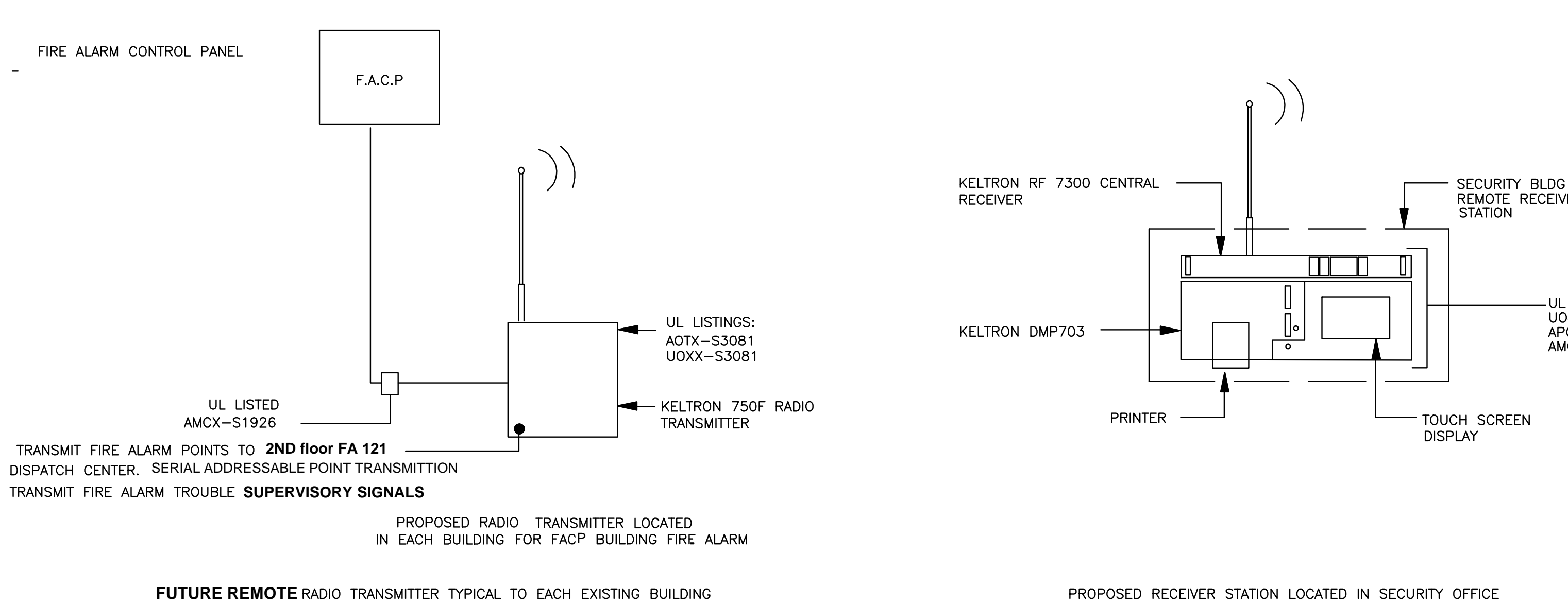
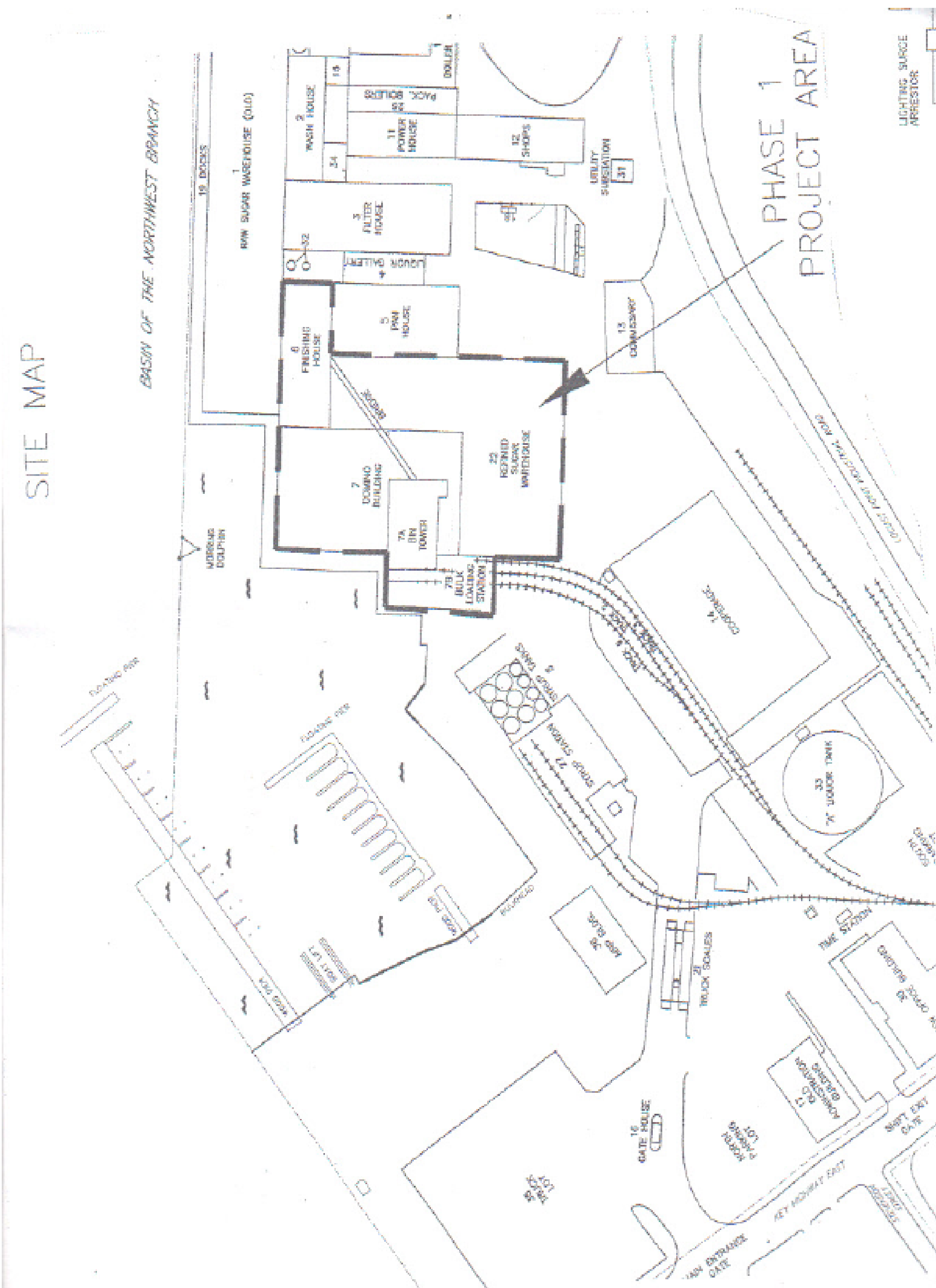
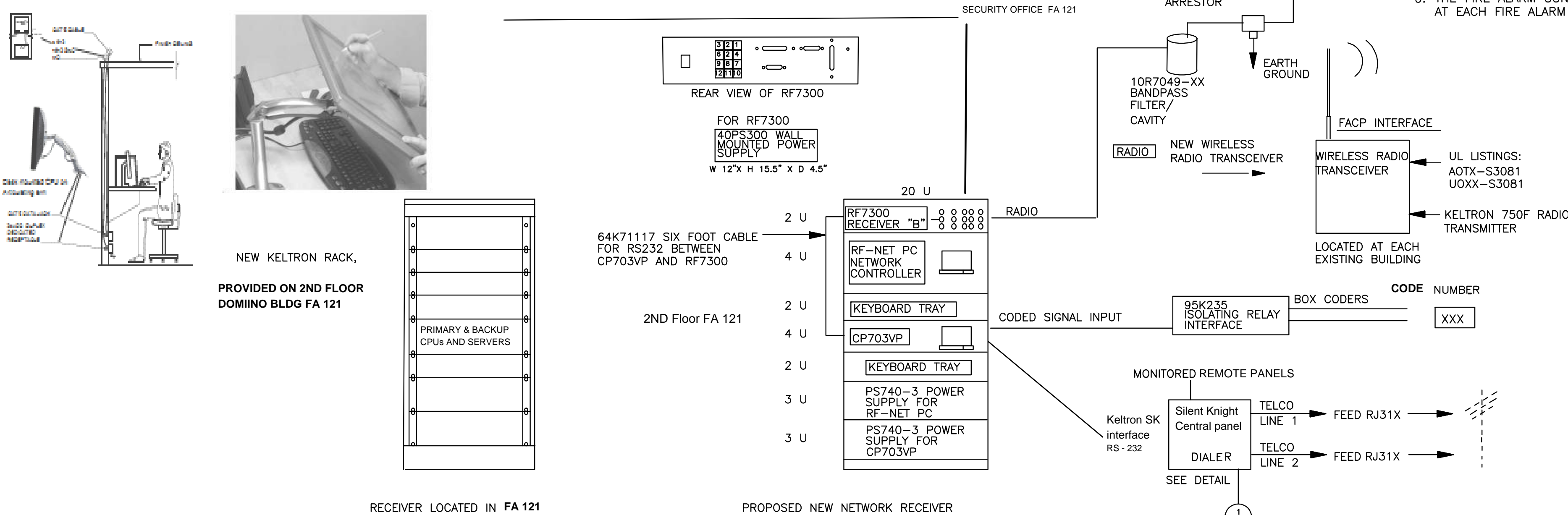
- FIRE ALARM NOISES:**
1. ALL EXISTING BUILDING CODE SHALL REMAIN until the project is complete
  2. THE FIRE ALARM CONTRACTOR SHALL FURNISH AND INSTALL NEW RADIO TRANSMITTER AT EACH EXISTING BUILDING CONNECT TO NEW FIRE ALARM CONTROL PANEL.
  3. THE CONTRACTOR SHALL PROVIDE COMPLETE FIRE ALARM SYSTEM, INCLUDING SPECIFICATION, AND FLOOR PLANS. A COMPLETE DOCUMENT SHALL BE SUBMITTED TO THE FIRE DEPARTMENT FOR APPROVAL PRIOR TO THE INSTALLATION OF THE EQUIPMENT OR WIRING.
  4. SUBMIT SHOP DRAWINGS AND PRODUCT DATA SHALL BE COMPLETED WITH ALL NECESSARY INFORMATION
  5. THE FIRE ALARM SYSTEM SHALL ALL BE CLASS "B" CIRCUITS STYLE S CIRCUITS STYLE C WIRE SYSTEM, AND COMPLY WITH ALL ADA, NFPA72 AND LOCAL CODES.
  6. ALL SYSTEM FUNCTIONS AND OPERATIONS SHALL COMPLY WITH LOCAL FIRE DEPARTMENT LATEST STANDARDS.
  7. ALL WIRING AND DEVICES SHALL MEET THE REQUIREMENTS OF THE NATIONAL ELECTRICAL CODE.
  8. WIRING SHALL BE 2HR FIRE RATED "FPLR" OR INSTALLED 2N "EMT" AS APPROVED BY LOCAL FIRE DEPARTMENT.
  9. ALL WIRING SHALL BE IN ACCORDANCE WITH MANUFACTURERS APPROVED WIRING SCHEMATIC.
  10. THE FIRE ALARM CONTRACTOR SHALL PROVIDE ZONE/POINT TO POINT SCHEDULE AT EACH FIRE ALARM CONTROL PANEL. AND PROVIDE CODED TIMING NUMBERS



**TYPICAL FIRE ALARM FIBER/ETHERNET SWITCH ENCLOSURE DETAIL**

- NOT TO SCALE
- NOTES:
1. POWER SUPPLY CHARGER SHALL BE RECOGNIZED FOR UL 1481 - STANDARD FOR SAFETY FOR FIRE PROTECTIVE SIGNALING SYSTEMS.
  2. BATTERY(S) SHALL PROVIDE 24 HOURS OF STANDBY AND 5 MINUTES OF ALARM BACKUP. AT 200mA AND 10A RESPECTIVELY.
  3. INDUSTRIAL MANAGED ETHERNET SWITCH SHALL OPERATE ON 24VDC AND SHALL HAVE A MINIMUM OF (3) THREE 10/100/1000 BASE-T RJ-45, MINIMUM OF (3) THREE SFP INTERFACES, AND (7) SEVEN 10/100 BASE-TX RJ 45 AUTO-MED-IND-X PORTS.
  3. ALL EQUIPMENT, CABLES, CONDUIT AND ENCLOSURES SHALL BE LABELED AND TAGGED FOR LIFE SAFETY.
  4. EMT CONDUIT SHALL BE USED WHERE CABLES CANNOT BE CONCEALED IN WALLS. CONDUIT SHALL BE INSTALLED BETWEEN ALL DEVICES LOCATED IN ELECTRIC ROOMS, IT ROOMS AND MAINTENANCE BUILDINGS, EXCEPT WHEN RUN ABOVE CEILING.

**NETWORKED REMOTE STATIONS OVER THE PLANT MANAGED NETWORK**



No.	Date	Description
	Aug 20, 2014	PROGRESS DRAWING Phase 1 FOR CONSTRUCTION